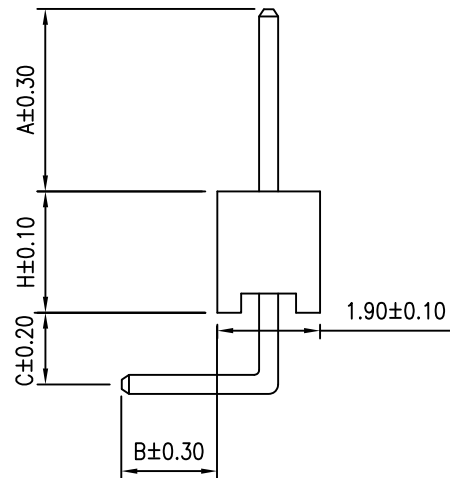
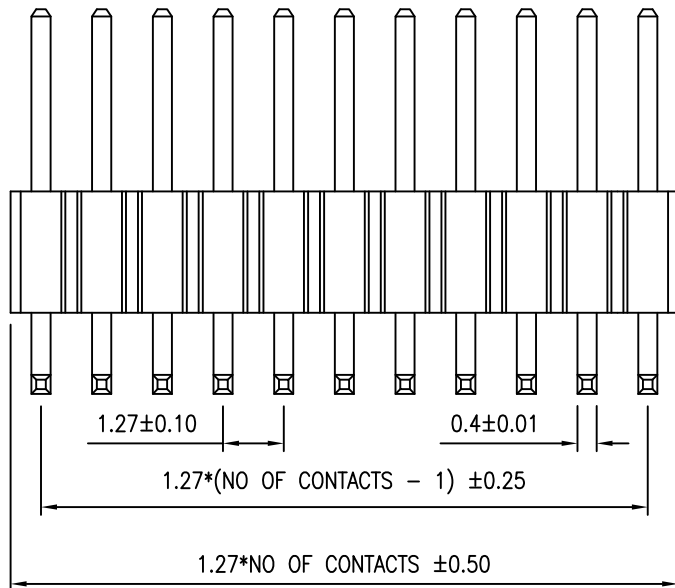


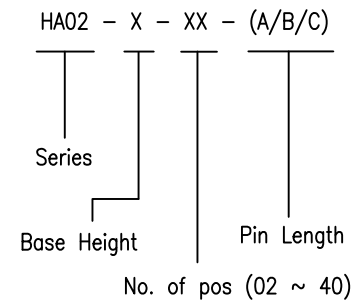
REV	ECN NO.	APP.	DATE
A	NEW DESIGN		



SPECIFICATION

- * Current Rating: 1 A
- * Withstanding Voltage: 300 VAC (1 min.)
- * Insulation Resistance: 1000 Megohms MIN.
- * Contact Resistance: 30 Milliohms MAX.
- * Operating Temperature: -40°C to +105°C

ORDER INFORMATION



MATERIAL

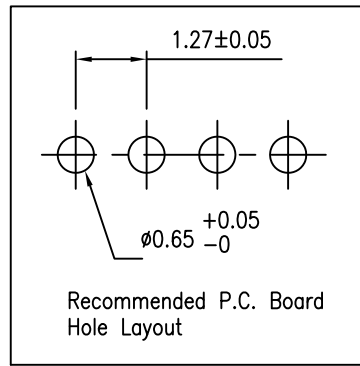
- * Contact: Brass
0.40mm square post
- * Insulator: PA6T & 30% G.F.
- * Plating: All Gold

Base Height

Base	H
1	1.00
2	1.50
3	2.00
4	2.50
5	3.00

Pin Chart

Pin	A	B	C
1	2.50	2.00	1.00
2			
3			
4			
5			



(주)신화테크 SHINHWA TECH CO.,LTD
 TEL : 031-451-9441 FAX : 031-451-9444

0.0±	SCALE:	TITLE:	PART NO:
0.00±	UNIT: MM	1.27MM Pin Header Single Row Right Angle	APP BY:
0.000±		MATL: PA6T + 30% GF	CHK BY:
		DWG. NO. HA02	DR BY: